

## other products and services



r-evolve storage



filing supplies



lockers



fire proof safes



storagewall



- **systems relocation**
- **filing consultancy**
- **file transfer/relocation**
- **filing supplies**

## bespoke manufacture

Using the latest CAD-CAM technology we can design and build bespoke products to your needs.



the high density filing specialist

8 Brunswick House, Dollis Avenue,  
Finchley, London. N3 1DD

T: 020 8371 4200 F: 020 8371 4300  
Website: [www.oss.gb.com](http://www.oss.gb.com)



## mobile filing systems

the high density filing specialist

the high density filing specialist

Office Storage Solutions mobile shelving can reduce the space utilised for filing by up to 50%.

Each system is designed specifically to fit individual client storage requirements.



## features

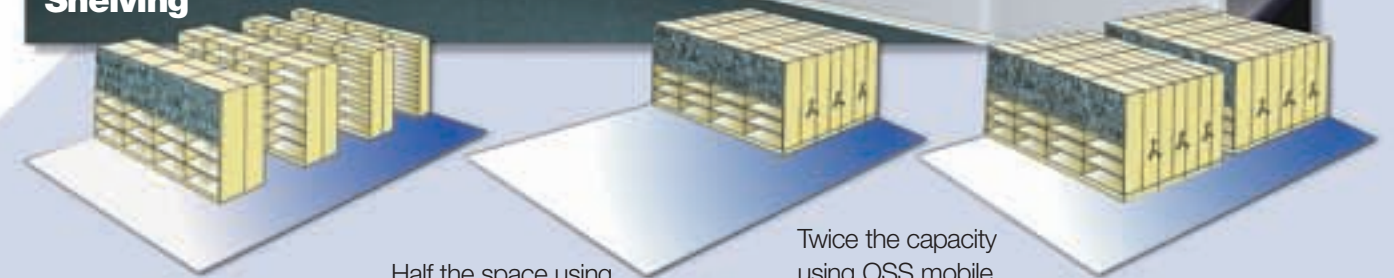
- choice of colours
- available in all RAL/BS finishes
- veneer and MFC or steel deco panels
- protection and security
- safety anti-tip devices
- computer design and testing
- technical analysis including floor load data
- modular design for easy relocation, addition and alteration
- modular free standing system



**gearwheel with  
integral locking  
safety system**



**Mobile Shelving**



Static layout

Half the space using OSS mobile storage

Twice the capacity using OSS mobile storage

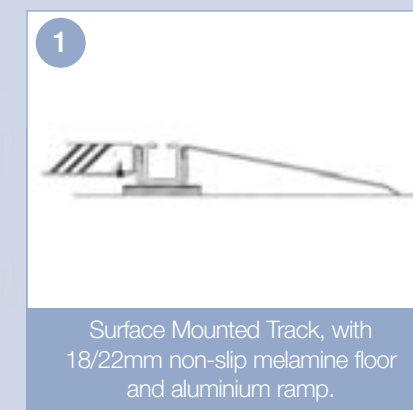
**Slide-a-side Shelving**



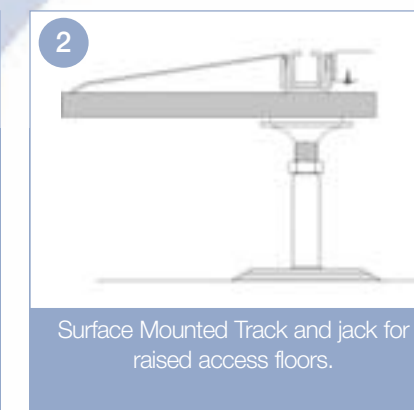
Static layout

Increased layout using slide-a-side

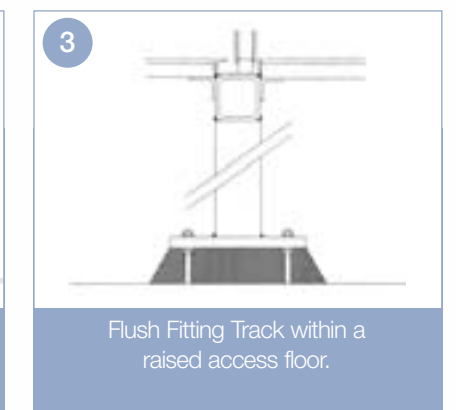
## A track and floor system for every requirement



1  
Surface Mounted Track, with 18/22mm non-slip melamine floor and aluminium ramp.



2  
Surface Mounted Track and jack for raised access floors.



3  
Flush Fitting Track within a raised access floor.